

# Chantrolle®



## 5 TONNE LOG SPLITTER

MODEL NO: LOGBUSTER H5

PART NO: 3402032

## OPERATION & MAINTENANCE INSTRUCTIONS

UK  
CA | CE



**ORIGINAL INSTRUCTIONS**

DL1221 - ISS 2

---

## INTRODUCTION

---

Thank you for purchasing this CLARKE 5 Tonne Log Splitter.

Before attempting to use this product, please read this manual thoroughly and follow the instructions carefully. In doing so you will ensure the safety of yourself and that of others around you, and you can look forward to your purchase giving you long and satisfactory service.

**A stand is available for this log splitter from your local Clarke dealer (Part number: 3402049).**

---

## GUARANTEE

---

This product is guaranteed against faulty manufacture for a period of 12 months from the date of purchase. Please keep your receipt which will be required as proof of purchase.

This guarantee is invalid if the product is found to have been abused or tampered with in any way, or not used for the purpose for which it was intended.

Faulty goods should be returned to their place of purchase, no product can be returned to us without prior permission.

This guarantee does not effect your statutory rights.

---

## ENVIRONMENTAL RECYCLING POLICY

---



Through purchase of this product, the customer is taking on the obligation to deal with the WEEE in accordance with the WEEE regulations in relation to the treatment, recycling & recovery and environmentally sound disposal of the WEEE.

In effect, this means that this product must not be disposed of with general household waste. It must be disposed of according to the laws governing Waste Electrical and Electronic Equipment (WEEE) at a recognised disposal facility.

# SAFETY SYMBOLS

The following symbols represent important information about the product or instructions on its use.

	Read these instructions in full before using the machine.		Dispose of any used oil in an environment-friendly way.
	Wear safety footwear!		Do not use in the rain.
	Wear protective gloves!		Danger! Keep clear of moving parts!
	Wear eye protection!		Do not remove jammed logs with your hands.
	Wear hearing protection!		Before starting any repair maintenance or cleaning, always disconnect the power.
	Keep your work space tidy! Untidiness may result in accidents.		Avoid injury from the movement of the splitting blade
	Do not remove or tamper with any protection or safety device.		Keep bystanders away from the working area.

---

# GENERAL SAFETY RULES

---



**WARNING: READ ALL OF THESE INSTRUCTIONS. FAILURE TO FOLLOW ALL INSTRUCTIONS LISTED BELOW MAY RESULT IN ELECTRIC SHOCK, FIRE AND/OR SERIOUS INJURY. SAVE THESE INSTRUCTIONS FOR FUTURE REFERENCE.**

---

## WORK AREA

1. **Keep the work area clean and well lit.** Cluttered and dark areas invite accidents.
2. **Do not operate log splitters in explosive atmospheres, such as in the presence of flammable liquids, gases or dust.** Log splitters create sparks which may ignite the dust or fumes.
3. **Keep children and bystanders away while operating the log splitter.** Distractions can cause you to lose control.
4. **The surface must be perfectly level to prevent the machine from moving during operation.**

## ELECTRICAL SAFETY

1. **The log splitters plug must match the outlet. Never modify the plug in any way.** Unmodified plugs and matching outlets will reduce risk of electric shock.
2. **Avoid body contact with earthed or grounded surfaces such as pipes, radiators, ranges and refrigerators.** There is an increased risk of electric shock if your body is earthed or grounded.
3. **Do not expose log splitters to rain or wet conditions.** Water entering a log splitter will increase the risk of electric shock.
4. **Do not abuse the cable. Never use the cable for carrying, pulling or unplugging the log splitter. Keep cable away from heat, oil, sharp edges or moving parts.** Damaged or entangled cables increase the risk of electric shock.
5. **When operating the log splitter outdoors, use an extension cable suitable for outdoor use.** Use of a cable suitable for outdoor use reduces the risk of electric shock.
6. **Do not leave the log splitter unattended when plugged in to the mains supply.**

## PERSONAL SAFETY

1. **Stay alert, watch what you are doing and use common sense when operating a log splitter. Do not use the log splitter while you are tired or**

**under the influence of drugs, alcohol or medication.** A moment of inattention while operating log splitters may result in serious personal injury.

2. **Use safety equipment. Always wear eye protection.** Safety equipment such as non-skid safety shoes, close fitting clothing and suitable work gloves should always be used.
3. **Avoid accidental starting. Ensure the switch is in the off position before plugging in.**
4. **Do not overreach. Keep proper footing and balance at all times.** This enables better control of the log splitter in unexpected situations.
5. **Dress properly. Do not wear loose clothing or jewelry. Keep your hair, clothing and gloves away from moving parts.** Loose clothes, jewelry or long hair can be caught in moving parts.

## **USAGE AND CARE**

1. **Do not force the log splitter.** It will do the job better and safer at the rate for which it was designed.
2. **Disconnect the plug from the power source before making any adjustments, changing accessories, or storing the log splitter.** Such preventive safety measures reduce the risk of starting the log splitter accidentally.
3. **Store the log splitter out of the reach of children and do not allow persons unfamiliar with log splitters or these instructions to operate the log splitter.** Log splitters are dangerous in the hands of untrained users.
4. **Maintain the log splitter. Check for misalignment or binding of moving parts, breakage of parts and any other condition that may affect the log splitters operation. If damaged, have the log splitter repaired before use.** Many accidents are caused by poorly maintained power tools.
5. **Keep cutting tools sharp and clean.** Properly maintained cutting tools with sharp cutting edges are less likely to bind and are easier to control.

## **SERVICE**

1. **Have your log splitter serviced by a qualified repair person using only identical replacement parts.** This will ensure that the safety of the log splitter is maintained.

---

# LOG SPLITTERS SPECIFIC WARNINGS

---

## UNDERSTAND YOUR LOG SPLITTER

- Read and understand the owner's manual and labels affixed to the log splitter. Learn its limitations as well as the specific potential hazards.

## DRUGS, ALCOHOL AND MEDICATION

- Do not operate the log splitter while under the influence of drugs, alcohol, or any medication that could affect your ability to use it properly.

## AVOID DANGEROUS WORKING CONDITIONS

- Place the log splitter on a 720-850 mm high, stable, flat, and level work bench where there is plenty of room for handling and help the operator stay alert. Bolt the log splitter to the work surface if it tends to slip, walk, or slide.

**NOTE:** The log splitter is heavy and may require 2 people to lift into position.

- Keep your work area clean and well lit. Cluttered areas invite injuries.
- Do not use the log splitter in wet or damp areas or expose it to rain.
- Do not use it in areas where fumes from paint, solvents or flammable liquids pose a potential hazard.

## INSPECT YOUR LOG SPLITTER

- Keep guards in place and in good condition.
- Replace damaged, missing or damaged parts before using it.

## DRESS PROPERLY

- Do not wear loose clothing, gloves, neckties or jewelry (rings, wrist watches). They can be caught in moving parts.
- Protective electrically non-conductive gloves and non-skid footwear are recommended when working.
- Wear protective hair covering to contain long hair, preventing it from get caught in machinery.

## **PROTECT YOUR EYES AND FACE**

- Any log splitter may throw foreign objects into the eyes. This can cause permanent eye damage. Always wear safety goggles. Everyday eyeglasses have only impact resistant lenses. They are not safety glasses.
- Do not put the log splitter on the ground for operations. This is awkward operating position that the operator has to bring his face close to the machine and thus risks being struck by wood chips or debris.

## **EXTENSION CABLES**

- Improper use of extension cables may cause inefficient operation of the log splitter which can result in overheating.
- Make sure that the extension cable is no longer than 10m and its cross section is no less than 2.5mm<sup>2</sup> to allow sufficient current flow to the motor.

## **AVOID ELECTRIC SHOCK**

- Check that the electric circuit is adequately protected and that it corresponds with the power, voltage and frequency of the motor.
- Check that there is a ground connection.
- Ground the log splitter. Prevent body contact with grounded surfaces: pipes, radiators, etc.
- Never open the push button box on the motor. Should this be necessary, contact a qualified electrician.
- Make sure your fingers do not touch the plug's metal prongs when plugging or unplugging the log splitter.

## **PREVENT FIRES**

- Do not smoke or have open flames when operating or refilling the log splitter with oil.
- Never operate the log splitter near a flame or spark. Oil is flammable.

## **KEEP BYSTANDERS AWAY**

- The log splitter must be always operated by one person only. Other people should keep a safe distance from the work area, especially when the log splitter is under operation.
- Never let another person help you free a jammed log.

## **INSPECT YOUR LOG**

- Make sure there are no nails or foreign objects in logs to be split. The ends of the logs must be cut square. Branches must be cut off flush with the trunk.

## **DON'T OVERREACH**

- The floor must not be slippery.
- Keep proper footing and balance at all times.
- Never stand on the log splitter. Serious injury could occur if the machine is tipped over or if the cutting blade is unintentionally contacted.
- Do not store anything above or near the log splitter where anyone might stand on the log splitter to reach them.

## **AVOID INJURY FROM UNEXPECTED ACCIDENT**

- Always pay full attention to the movement of the log pusher.
- Do not attempt to load the log on until the log pusher has stopped.
- Keep hands out of the way of all moving parts

## **PROTECT YOUR HANDS**

- Keep you hands away from splits and cracks which open in the log; They may close suddenly and crush or amputate your hands.
- Do not remove jammed logs with your hands

## **DON'T FORCE THE TOOL**

- It will do a better and safer job at its intended rate.
- Never try to split logs larger than those indicated in the specifications table. This could be dangerous and may damage the machine.
- Don't use the log splitter for a purpose for which it was not intended.

## **NEVER LEAVE LOG SPLITTER RUNNING UNATTENDED**

- Don't leave the log splitter until it has come to a complete stop



## **DISCONNECT POWER**

- Unplug when not in use, before making adjustments, cleaning, or working on the log splitter.

## **MAINTAIN YOUR LOG SPLITTER WITH CARE**

- Keep the log splitter clean and free from debris for best and safest performance.

## **PROTECT THE ENVIRONMENT**

- Take any used oil to an authorized collection point.
- Do not discharge into drains, soil or water.

## **MAKE THE WORKSHOP CHILDPROOF**

- Lock the workshop. Store the log splitter away from children and others not qualified to use it.

---

## **SPECIAL WARNINGS & INSTRUCTIONS**

---

- The splitting operation of the machine is designed to be activated by one person. While there is the possibility that additional operators could be working with the machine (e.g. for loading and unloading), only one operator should activate splitting operations;
- The machine must not be used by children;
- Do not remove jammed logs with your hands. Never let another person help you free a jammed log.

## SPECIFICATIONS

Motor	230V @ 50Hz / 1 Ph	
Input Wattage	2200W	
Duty Cycle	S3 25%	
Log Size Capacity	Diameter	50 - 250 mm
	Length	200 - 520 mm
Maximum Force	5000 kg	
Hydraulic Pressure	20.6 Mpa	
Hydraulic Oil Capacity	3.5 L	
Ram Travel	520 mm	
Speed	Forward	3.7 cm/sec
	Retract	6.2 cm/sec
Noise Pressure Level (LpA)	under no load;	78.8 dbA
	under full load	89.8 dbA
Vibration	<2.5 m/s <sup>2</sup>	
Dimensions	Length	1160 mm
	Width	425 mm
	Height	610 mm
Weight	50 kg	

---

# ELECTRICAL CONNECTIONS

---

Connect the mains lead to a standard, 230 Volt (50Hz) electrical supply through an approved 13 amp BS 1363 plug, or a suitably fused isolator switch.

---



**WARNING: THIS APPLIANCE MUST BE EARTHED**

---

**IMPORTANT: The wires in the mains lead are coloured in accordance with the following code:**

Green & Yellow	-	Earth
Blue	-	Neutral
Brown	-	Live

As the colours of the flexible lead of this appliance may not correspond with the coloured markings identifying terminals in your plug proceed as follows:

- Connect GREEN & YELLOW cable to terminal marked with a letter "E" or Earth symbol "⏚".
- Connect BROWN cable to terminal marked with a letter "L".
- Connect BLUE cable to terminal marked with a letter "N".

If this appliance is fitted with a plug which is moulded onto the electric cable (i.e. non-rewireable) please note:

1. The plug must be thrown away if it is cut from the electric cable. There is a danger of electric shock if it is subsequently inserted into a socket outlet.
2. Never use the plug without the fuse cover fitted.
3. When replacing a detachable fuse carrier, ensure the correct replacement is used (as indicated by marking or colour code).
4. Replacement fuse covers can be obtained from your local dealer or most electrical stockists.

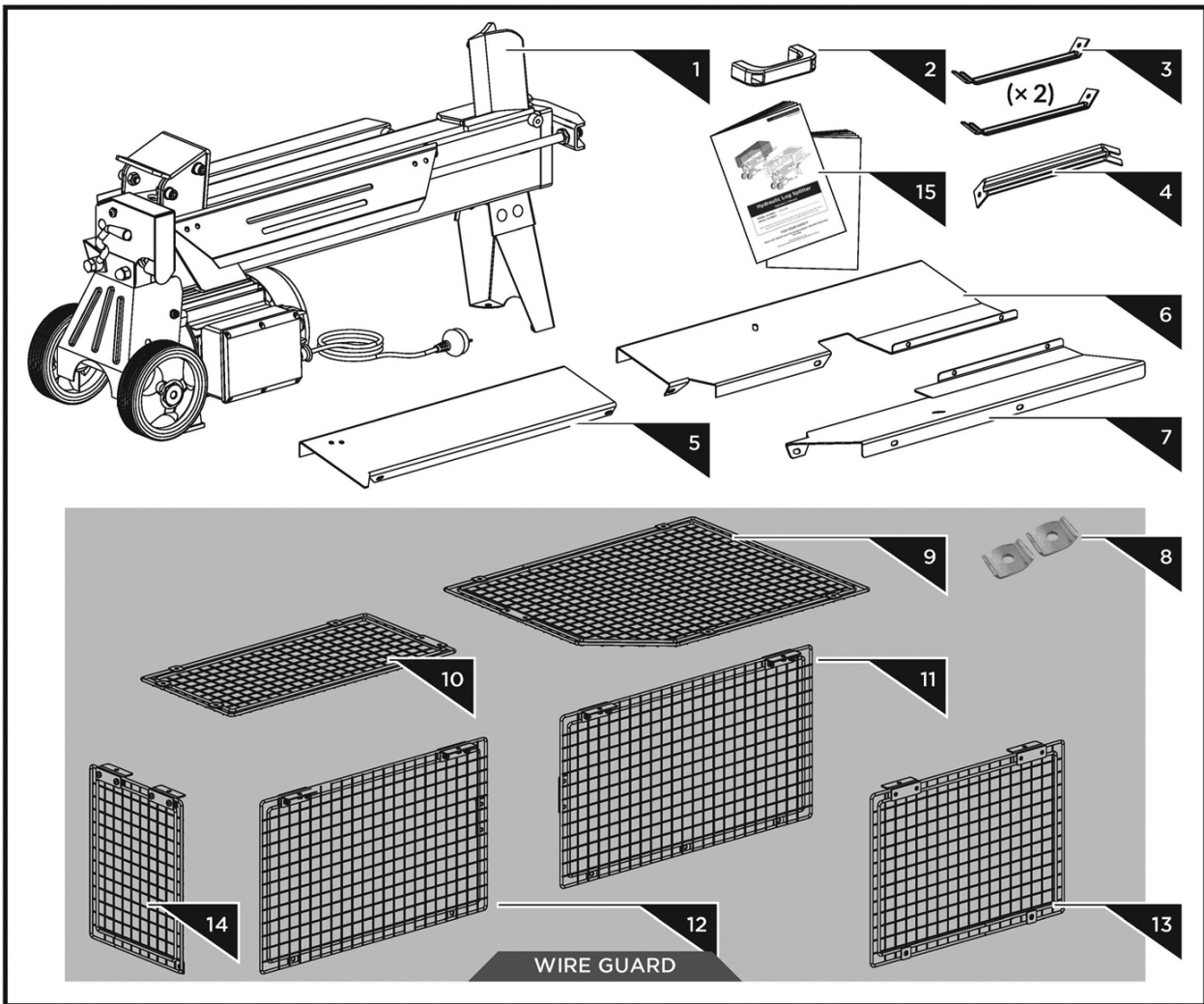
## FUSE RATING

The fuse in the plug must be replaced with one of the same rating and this replacement must also be ASTA approved to BS1362.

We strongly recommend that this machine is connected to the mains supply via a Residual Current Device (RCD)

If in any doubt, consult a qualified electrician. DO NOT attempt any repairs yourself.

# CONTENTS



1	Log Splitter Frame	9	Top Guard Plate 1
2	Transport Handle	10	Top Guard Plate 2
3	2 x Support Strut 1	11	Rear Guard Plate 1
4	Support Strut 2	12	Rear Guard Plate 2
5	Bottom Guard Plate	13	Front Guard Plate
6	Log Tray 1	14	Left Guard Plate
7	Log Tray 2	15	Instruction Manual
8	Saddle Plates	16	Fixings kit (not shown)

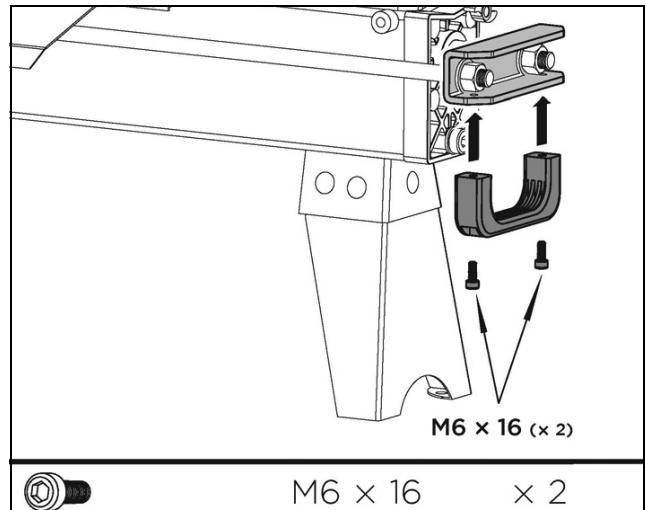
# ASSEMBLY



**WARNING: WE RECOMMEND THAT YOU GET ASSISTANCE WHEN ASSEMBLING THIS PRODUCT DUE TO THE SIZE AND WEIGHT OF THE COMPONENT PARTS.**

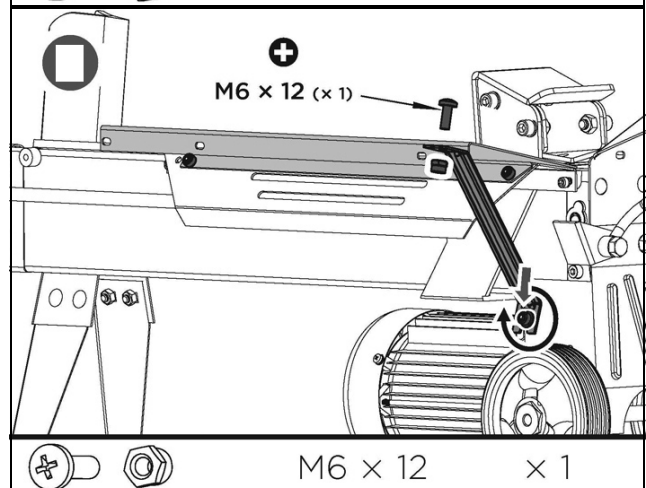
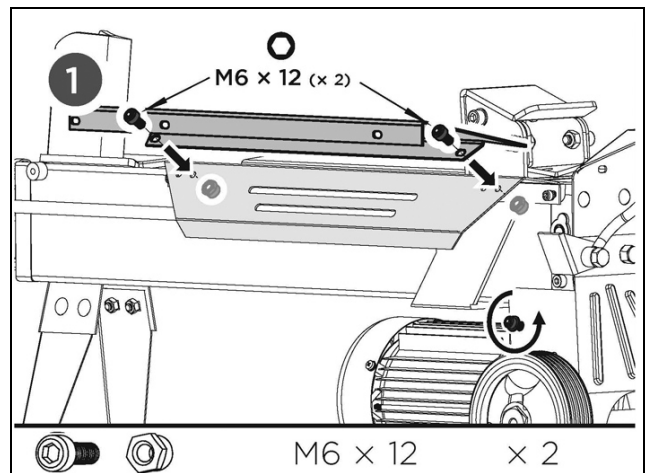
## LIFTING HANDLE

1. Mount the transport handle to the U bracket with two M6x16 bolts.



## LOG TRAY

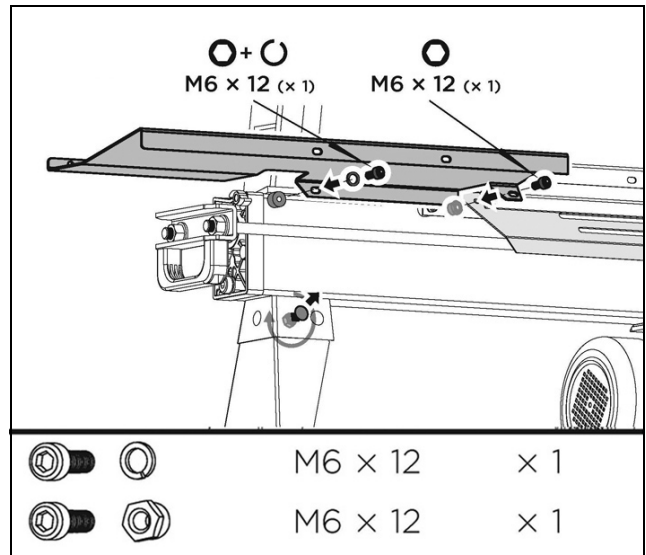
1. Mount the bottom guard plate to the rear guiding plate and secure with two M6x12 socket head cap screws and locknuts.
2. Loosen the socket head cap screw and big washer on the wheel bracket.
3. Insert the open end of the support strut 2 between the big washer and wheel bracket and tighten the screw.



#

4. Align the two mounting holes of the log tray 1 to the holes on the side of the splitter.

- Insert one socket head cap screw (M6x12) spring washer 6 into the mounting hole on left side.
- Insert the other socket head cap screw M6x12, M6 locknut on right side and securely tighten both.

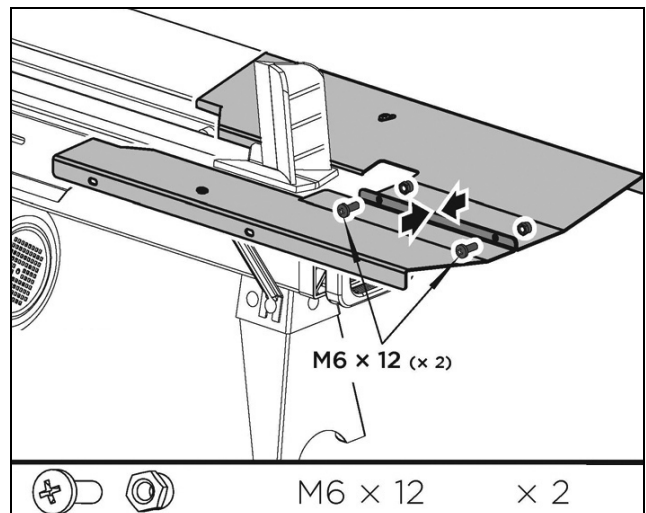
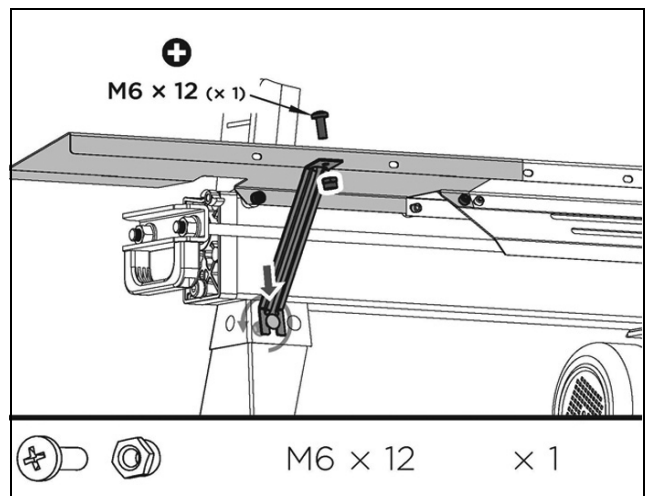


5. Loosen the cap head bolt and nut on left side of the front leg, slide the open end of support strut 1 onto the bolt and then tighten the nut.

6. Connect the upper end of support strut 1 to the log tray 1 with cross recessed pan head screw M6x12 and locknut M6 and then tighten it.

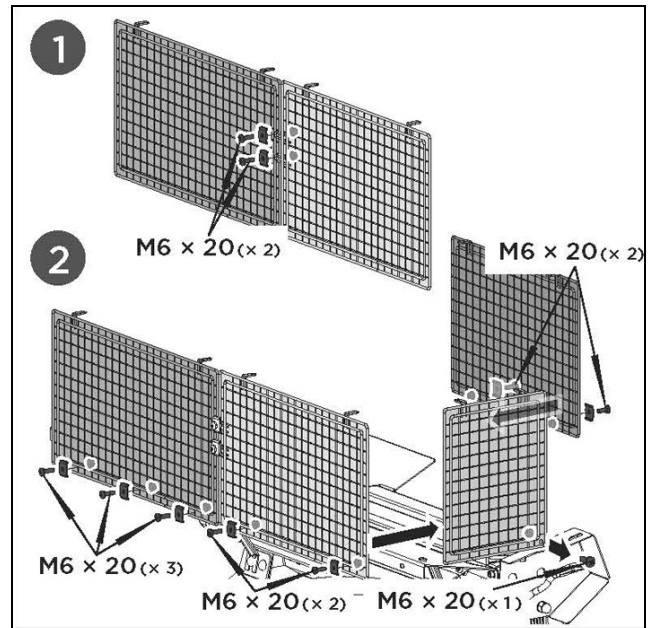
7. Repeat steps 4-6 with the second tray on the opposite side of the log splitter.

8. Connect both log trays together with two M6x12 screws and locknuts.



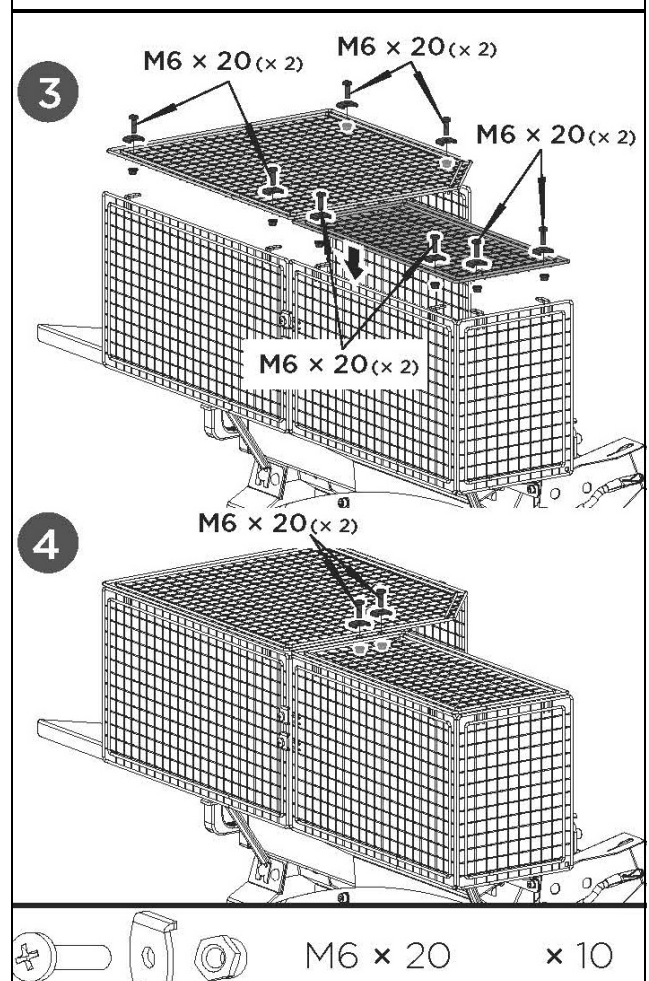
## FITTING THE WIRE FRAME GUARD

1. Connect two rear guard plates together with two M6x20 bolts, U-spacers and nuts.



			M6 x 20	x 9
			M6 x 20	x 1

2. Attach the front guard plate, left guard plate and rear guard plates to the log tray and bottom plate. Secure the front and rear plates with M6x20 bolts, U-spacers and nuts and secure the left plate with M6x20 bolt and nut.
3. Mount the two top guard plates to the vertical plates with M6x20 bolts, U-spacers and nuts.
4. Connect two top guard plates with two M6x20 bolts, U-spacers and nuts.



			M6 x 20	x 10
--	--	--	---------	------

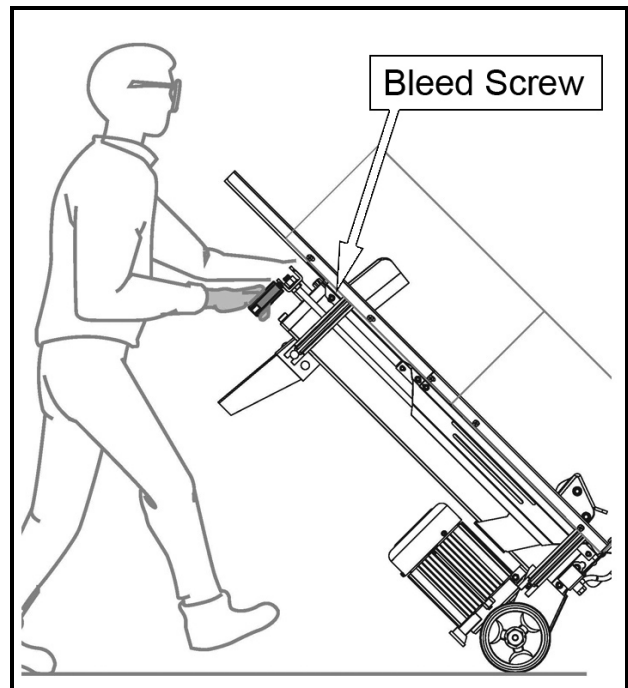
#

# TRANSPORT

## MOVING BY HAND

The log splitter is equipped with two wheels.

1. Grip the handle and tilt the log splitter onto its wheels.
  - Make sure that the bleed screw is tightened securely before moving.



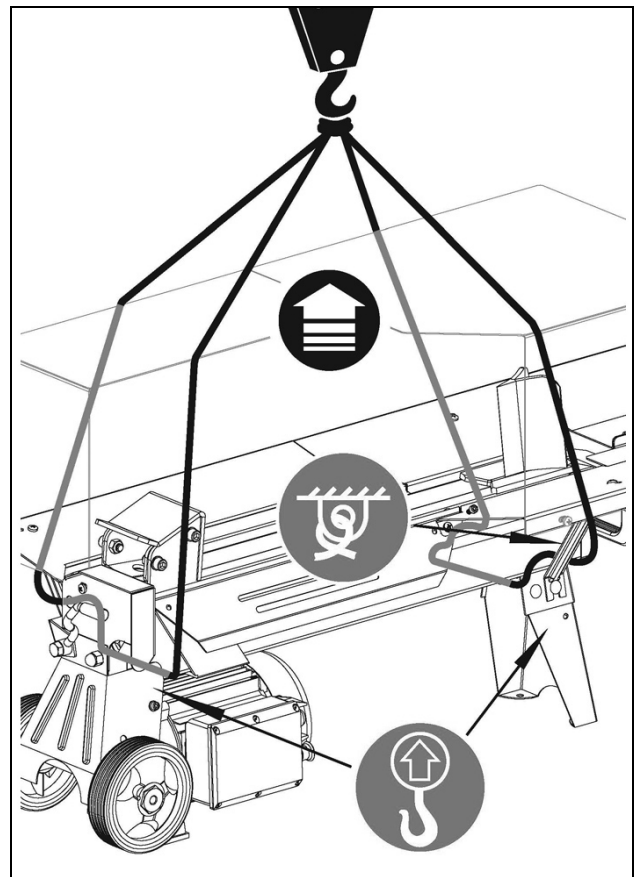
## LIFTING WITH A CRANE



**WARNING: IF USING A CRANE,  
ATTACH A HOIST SLING AS  
SHOWN.**

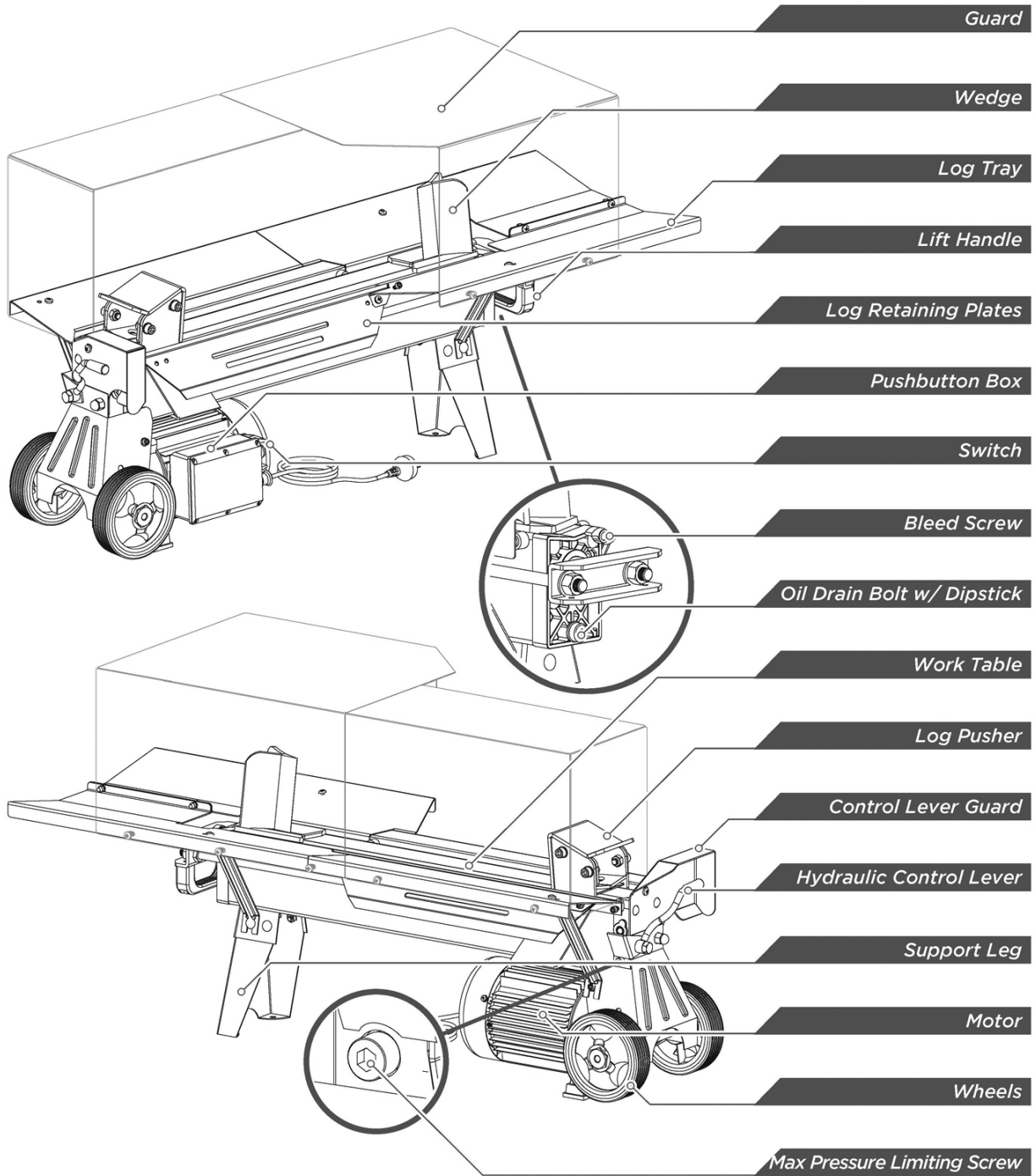


**WARNING: FOR LONG  
DISTANCE TRANSPORT,  
SECURE THE LOG SPLITTER TO  
PREVENT MOVEMENT.**





# KNOW YOUR MACHINE



#

# BEFORE USE

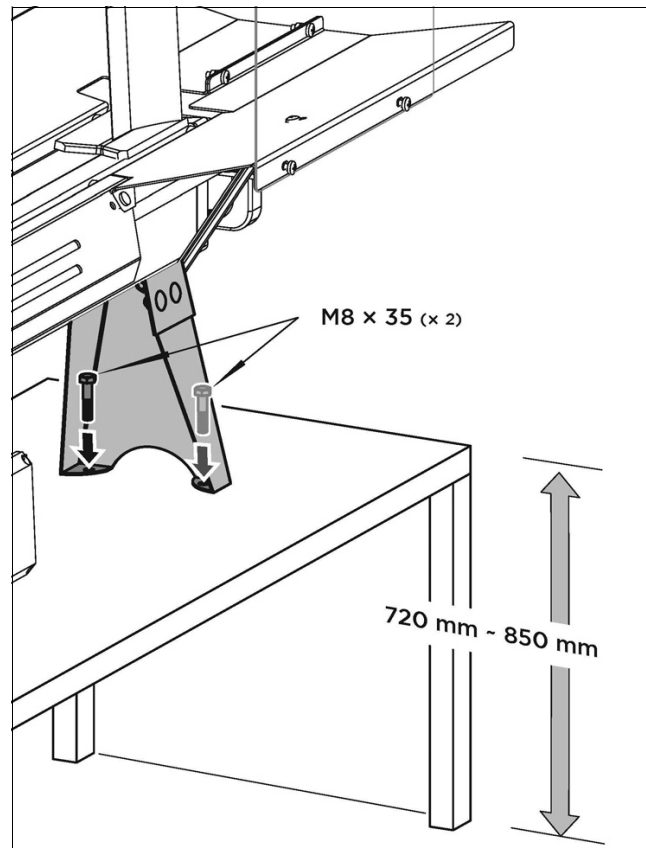
## POSITIONING

1. Place the log splitter on to a 720-850 mm high, stable, flat, and level work bench where there is plenty of room for handling.



**WARNING: THE LOG SPLITTER IS HEAVY AND MAY REQUIRE 2 PEOPLE TO LIFT INTO POSITION.**

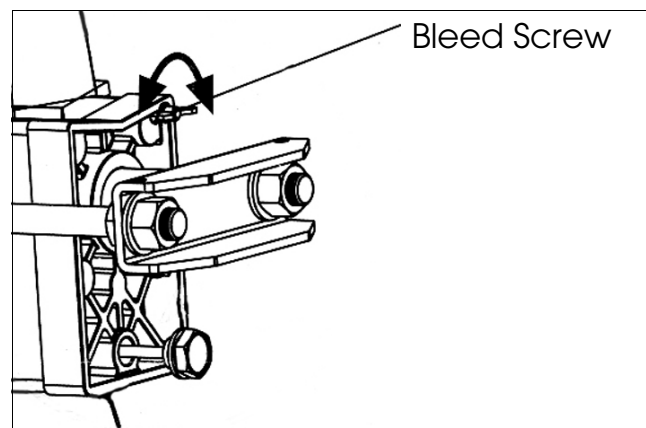
2. Bolt the log splitter to the work surface using two bolts (M8x35).



## BLEEDING THE HYDRAULIC SYSTEM

Before operating the log splitter, the Bleed Screw should be loosened by 2-3 turns until air can go in and out of the oil tank smoothly.

- Air flow through the bleed screw hole may be detectable when the log splitter is in operation.



**CAUTION: FAILURE TO LOOSEN THE BLEED SCREW BEFORE USE WILL CAUSE PERMANENT DAMAGE TO THE LOG SPLITTER.**

- Before moving the log splitter, make sure the Bleed Screw is tightened to avoid oil leaking from this point.

---

# OPERATION

---

## POSITIONING THE LOGS

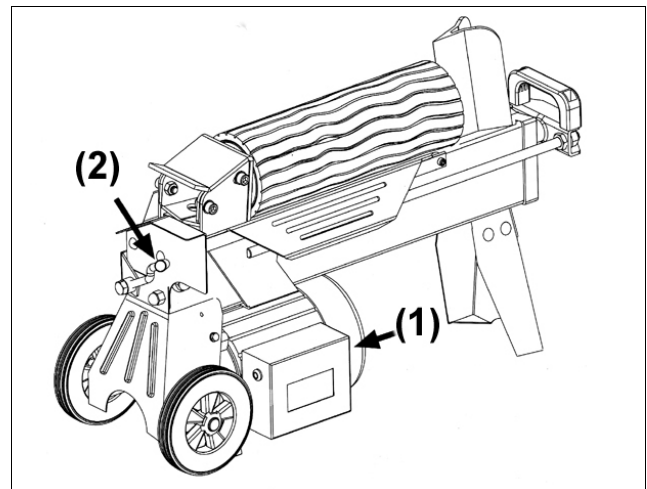
- Always place the logs on the log retaining plates.
- Make sure the logs do not twist, rock or slip while being split.
- Do not force the log splitter by splitting the log on the upper part of the wedge. This will break the wedge or damage the machine.
- Break log in the direction of its grain.
- Do not place the log across the log splitter for splitting. It may be dangerous and may seriously damage the machine.
- Do not attempt to split 2 logs at the same time. One of them may fly up and hit you.

## OPERATING THE LOG SPLITTER

**This log splitter is designed to be operated by one person only** and requires two handed operation by the user -

The left hand controls the hydraulic control lever (2) and the right hand controls the push button switch.

1. Push and hold the push button switch (1).
  2. Then press and hold down the control lever (2) to start the log splitter.
- The log splitter will stop moving if the button is released.
  - If the control lever is released, the log pusher returns to the starting position.



**NOTE:** Once you start splitting the log, never reach into the splitting zone.

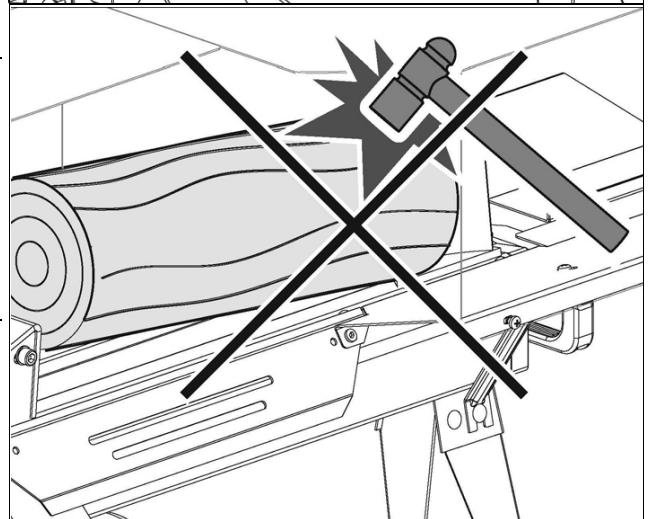
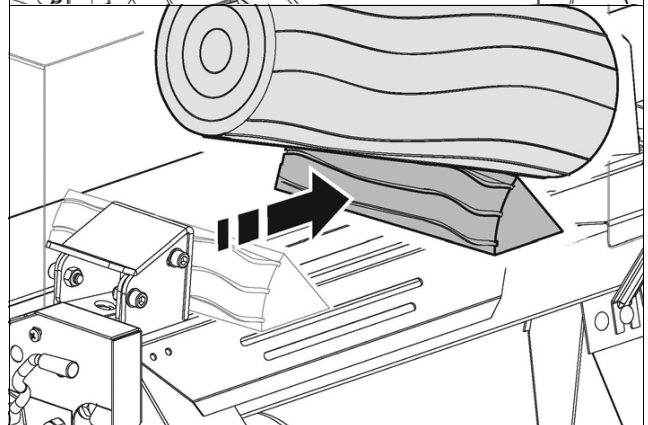
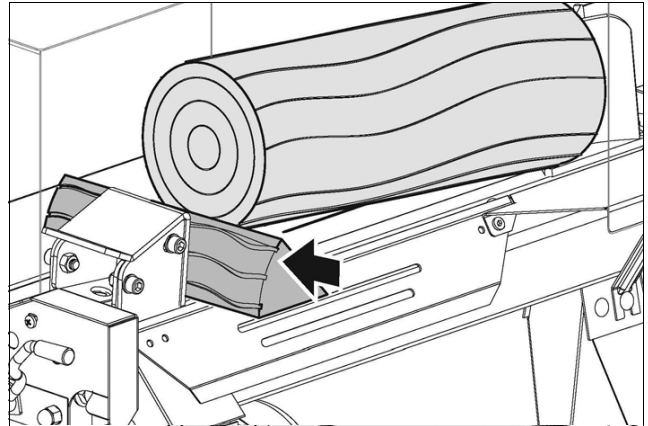


**CAUTION: NEVER FORCE THE LOG SPLITTER FOR MORE THAN 5 SECONDS TO SPLIT EXCESSIVELY HARD WOOD. AFTER THIS TIME, THE OIL UNDER PRESSURE WILL OVERHEAT AND THE MACHINE COULD BE DAMAGED.**

For extremely hard logs, rotate the log by 90° to see whether it can be split in a different position. If you are still not able to split the log, this means that the wood exceeds the capacity of the machine and should be discarded to protect the log splitter.

## FREEING A JAMMED LOG

1. Release both controls.
  - The log pusher will move back and stop at its starting position.
2. Insert a wedge of wood under the jammed log.
3. Start the log splitter to push the wedge under the jammed log.
4. Repeat above procedure with sharper sloped wedges until the log is completely free.

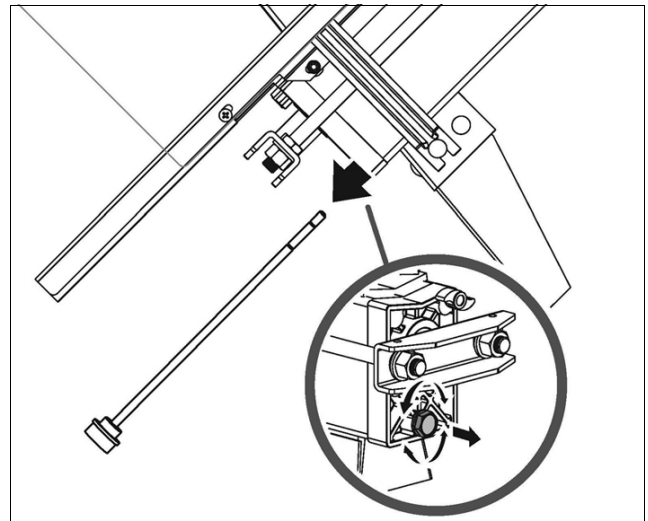


**WARNING: DO NOT TRY TO HIT THE JAMMED LOG OFF OF THE LOG SPLITTER, THIS MAY DAMAGE THE MACHINE OR MAY CAUSE THE LOG TO FLY UP AND CAUSE AN ACCIDENT.**

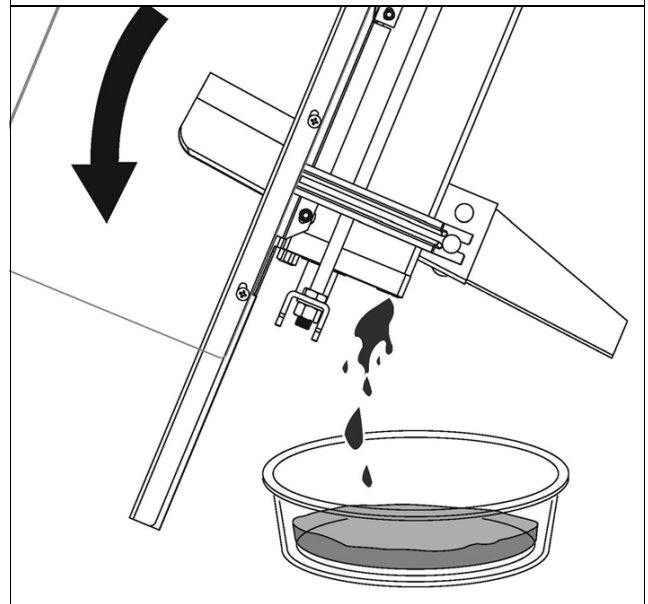
# MAINTENANCE

## REPLACING THE HYDRAULIC OIL (EVERY 150 HOURS USE)

1. Make sure that all moving parts have stopped and the log splitter is unplugged.
2. Remove the transport handle.
3. Unscrew and remove the Oil Drain Plug.



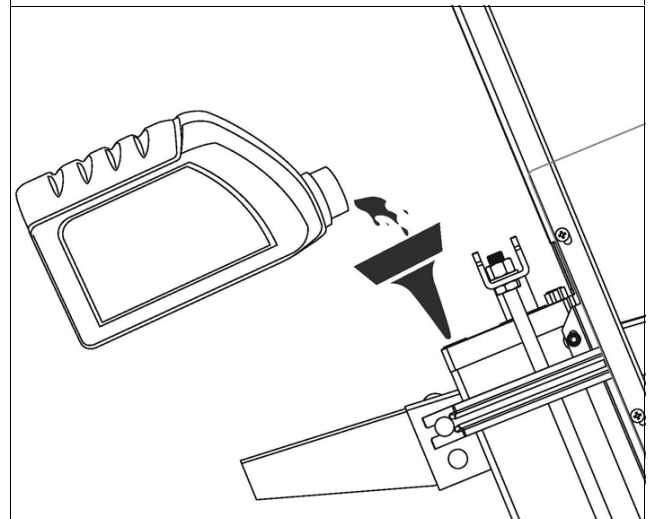
4. Lift the rear of the log splitter and let the hydraulic oil drain into a 4 litre container.



5. Tilt the machine backwards and refill with new oil. Using a clean funnel, pour in 3.5 Litres of Clarke hydraulic oil.

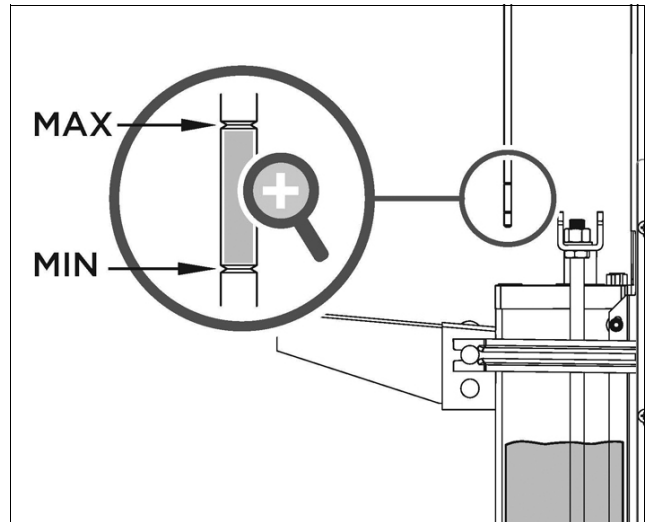
**IMPORTANT: Only use CLARKE HYDRAULIC OIL, available from your nearest dealer.**

**Part No:    1Ltr   -   3050830**  
**5Ltr   -   3050835**



#

6. Clean the surface of the dipstick section of the oil drain bolt and screw it back into the oil tank while keeping the log splitter vertical.
7. Make sure the level of the refilled oil is just between 2 grooves on the dipstick.
8. Clean the oil drain bolt before refitting it.
9. Tighten the oil drain bolt to avoid leakage before placing the log splitter horizontally.






## SHARPENING WEDGE




After using the log splitter for some time, sharpen the wedge using a file and smooth any burrs along the cutting edge.

## TROUBLESHOOTING

PROBLEM	CAUSE	REMEDY
Fails to split logs	Log is improperly positioned.	Refer to "Log splitter Operation" section on page 18
	Wedge cutting edge is blunt.	Refer to "Sharpening Wedge" section See page 22.
	Oil leaks	Contact the dealer
	Unauthorised adjustment was made on Max. Pressure Limiting Screw.	Contact the dealer.
The log pusher moves jerkily	Excessive air in the hydraulic system.	Check oil level for possible oil refilling. Contact the dealer.
Oil leaks around cylinder ram or from other points.	Air sealed in hydraulic system while operating.	Loosen Bleed Screw by 3- 4 turns before operating the log splitter.
	Bleed Screw is not tightened before moving the log splitter.	Tighten the Bleed Screw up before moving the log splitter.
	Oil Drain Bolt is not tight.	Tighten the Oil Drain Bolt.
	Hydraulic Control Valve Assembly and / or seal(s) worn	Contact the dealer.

# DECLARATION OF CONFORMITY

	 Fitzwilliam Hall, Fitzwilliam Place, Dublin 2
<b>DECLARATION OF CONFORMITY</b> This is an important document and should be retained.	
We hereby declare that this product(s) complies with the following directive(s): 2014/30/EU <i>Electromagnetic Compatibility Directive.</i> 2006/42/EC <i>Machinery Directive.</i> 2011/65/EU <i>Restriction of Hazardous substances.</i>	
The following standards have been applied to the product(s): EN 55014-1:2017, EN 55014-2:2015, EN 61000-3-2:2014, EN 61000-3-11:2000, EN 60204-1:2006+A1:2009+AC:2010, EN 609-1:2017, IEC 62321-4:2013+AMD1:2017, IEC 62321-5:2013, IEC 62321-6:2015, IEC 62321-7-1:2015, IEC 62321-7-2:2017, IEC 62321-8:2017, ISO 17075-1:2017.	
The technical documentation required to demonstrate that the product(s) meet(s) the requirement(s) of the aforementioned directive(s) has been compiled and is available for inspection by the relevant enforcement authorities.  The CE mark was first applied in: 2018	
<b>Product Description:</b>	5 Ton Horizontal Log Splitter
<b>Model number(s):</b>	LOGBUSTER H5
<b>Serial / batch Number:</b>	N/A
<b>Date of issue:</b>	07/12/2021
<b>Signed:</b>	 J.A. Clarke Director
LOGBUSTER H5 CE Clarke DOC 120721	

	 Fitzwilliam Hall, Fitzwilliam Place, Dublin 2
<b>DECLARATION OF CONFORMITY</b> This is an important document and should be retained.	
We hereby declare that this product(s) complies with the following directive(s): <i>Electromagnetic Compatibility Regulations 2016</i> <i>Supply of Machinery (Safety) Regulations 2008</i> <i>The Restriction of the Use of Certain Hazardous Substances in Electrical and Electronic Equipment Regulations 2012</i>	
The following standards have been applied to the product(s): EN 55014-1:2017, EN 55014-2:2015, EN 61000-3-2:2014, EN 61000-3-11:2000, EN 60204-1:2018, EN 609-1:2017, IEC 62321-4:2013+AMD1:2017, IEC 62321-5:2013, IEC 62321-6:2015, IEC 62321-7-1:2015, IEC 62321-7-2:2017, IEC 62321-8:2017, ISO 17075-1:2017.	
The technical documentation required to demonstrate that the product(s) meet(s) the requirement(s) of the aforementioned legislation has been compiled and is available for inspection by the relevant enforcement authorities.  The UKCA mark was first applied in: 2021	
<b>Product Description:</b>	5 Ton Horizontal Log Splitter
<b>Model number(s):</b>	LOGBUSTER H5
<b>Serial / batch Number:</b>	N/A
<b>Date of issue:</b>	07/12/2021
<b>Signed:</b>	 J.A. Clarke Director
LOGBUSTER H5 UKCA Clarke DOC 120721	

#

# A SELECTION FROM THE VAST RANGE OF

# Clarke®

## QUALITY PRODUCTS



### AIR COMPRESSORS

From DIY to industrial, Plus air tools, spray guns and accessories.

### GENERATORS

Prime duty or emergency standby for business, home and leisure.

### POWER WASHERS

Hot and cold, electric and engine driven - we have what you need

### WELDERS

Mig, Arc, Tig and Spot. From DIY to auto/industrial.

### METALWORKING

Drills, grinders and saws for DIY and professional use.

### WOODWORKING

Saws, sanders, lathes, mortisers and dust extraction.

### HYDRAULICS

Cranes, body repair kits, transmission jacks for all types of workshop use.

### WATER PUMPS

Submersible, electric and engine driven for DIY, agriculture and industry.

### POWER TOOLS

Angle grinders, cordless drill sets, saws and sanders.

### STARTERS/CHARGERS

All sizes for car and commercial use.



## PARTS & SERVICE: 0208 988 7400

**Parts Enquiries**  
[Parts@clarkeinternational.com](mailto:Parts@clarkeinternational.com)

**Servicing & Technical Enquiries**  
[Service@clarkeinternational.com](mailto:Service@clarkeinternational.com)

SALES: UK 01992 565333 or Export 00 44 (0)1992 565335

**Clarke** INTERNATIONAL Hemnall Street, Epping, Essex CM16 4LG  
[www.clarkeinternational.com](http://www.clarkeinternational.com)

#